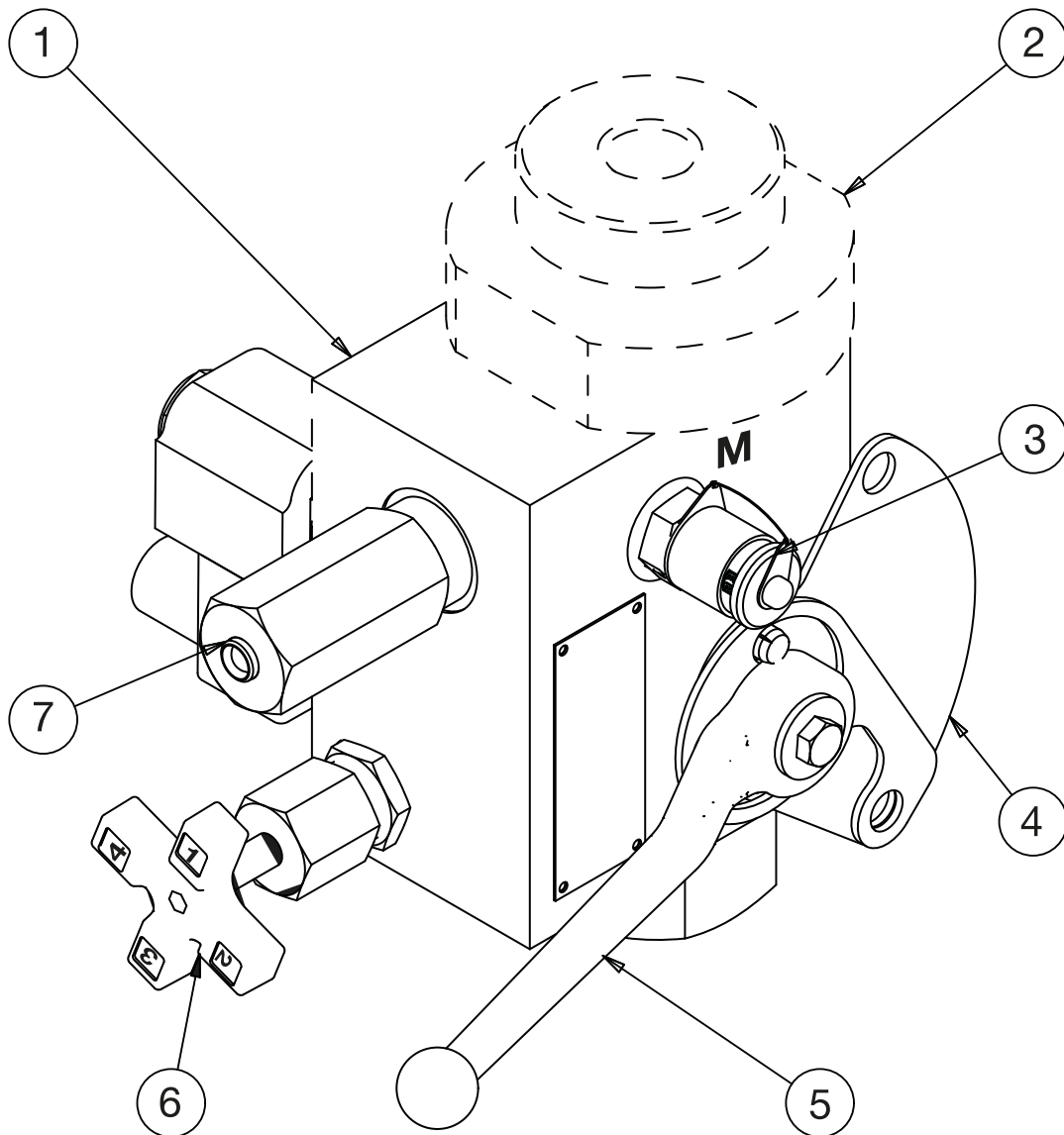


## Accumulator Safety Block - *SB Series*

For working pressures up to 350 bar



ENGINEERING YOUR SUCCESS.



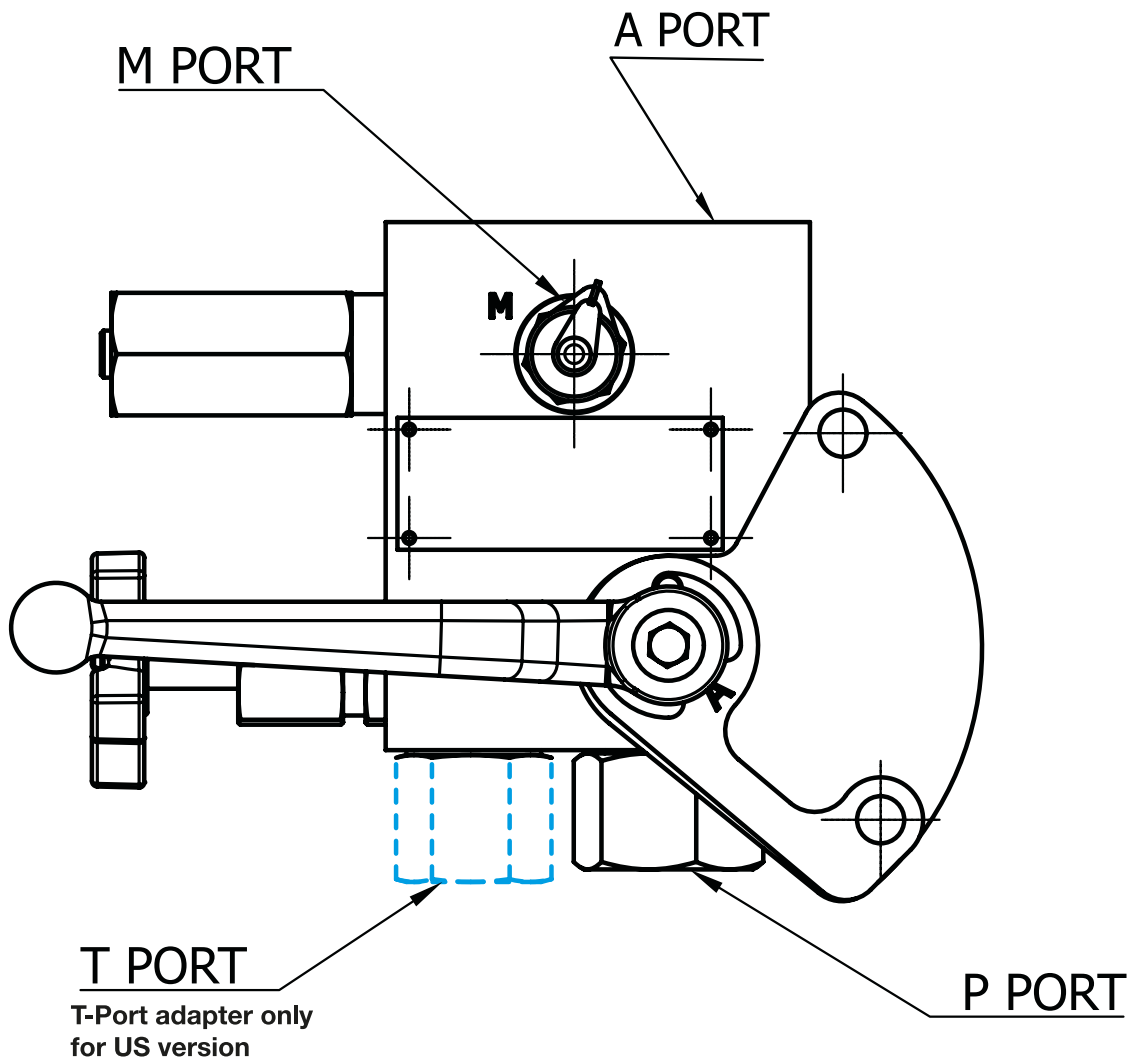
- |   |  |
|---|--|
| 1 | Safety block housing   |
| 2 | Adapter to the accumulator (not included, see p. 31 for adapter options)             |
| 3 | Pressure Test Point  |
| 4 | Locking Device (optional)  |
| 5 | Isolation and Opening Valve  |
| 6 | Manual Discharge Valve, see p. 28 for more information                               |
| 7 | Pressure Relieve Valve, for hydraulic scheme go to p. 13, further information: p. 29 |

**Safety Block, Size 10**


Port	BSPP Connection	SAE Connection
P / Connection 1 Size	BSPP 1/2	#8 SAE
T	BSPP 1/2	#10 SAE
A / Connection 2 Size	M33 x 2	
M	M16 x 2	

**Technical Data**

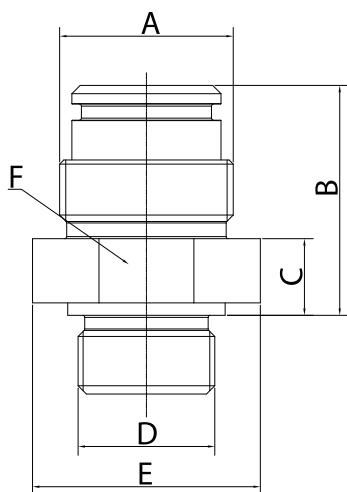
Weight: 6.35 kg



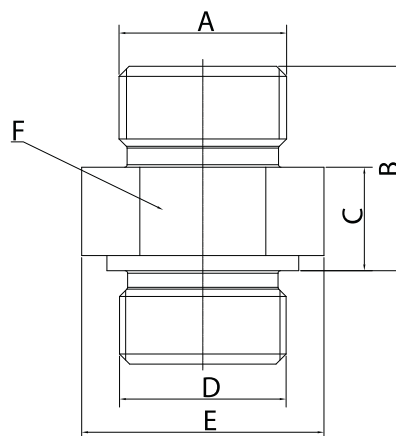
Adapter

P/N	Designation		size	A	B	C	D	E	F
35183200223	ADAPTOR M33x2 - G3/4"+ O-RINGS	1	10 & 20	BSP 3/4"	47.5	20	M33 x 2	Ø 48	41 on flat
35183300223	ADAPTOR M33X2-G1"1/4 + O-RINGS	1	10 & 20	BSP 1-1/4"	55.5	18.5	M33 x 2	Ø 55	50 on flat
35183400223	ADAPTOR M33X2-G2" + O-RINGS	1	10 & 20	BSP 2"	57.5	13.5	M33 x 2	Ø 75	65 on flat
35183500223	FLANGE ADAPTOR 1"1/4 +O-RINGS	2	32	BSP1-1/4"	65	28	4 Screw M16X50	100 x 100	
35183600223	FLANGE ADAPTOR 2" + O-RINGS	2	32	BSP 2"	72	28	4 Screw M16X50	100 x 100	
35183700223	ADAPTOR M33X2-G1/2"+ Bonded Seal	3	10 & 20	BSP 1/2"	34	18	M33 x 2	Ø 48	41 on flat
35183800223	ADAPTOR M33X2-G3/4"+ Bonded Seal	3	10 & 20	BSP 3/4"	39	20	M33 x 2	Ø 48	41 on flat
35183900223	ADAPTOR M33X2-G1" + Bonded Seal	3	10 & 20	BSP 1"	40	20	M33 x 2	Ø 48	41 on flat
35184000223	ADAPTOR M33X2-G1"1/4 + Bonded Seal	3	10 & 20	BSP 1-1/4"	42	20	M33 x 2	Ø 55	50 on flat
35184100223	ADAPTOR M33X2-G2" + Bonded Seal	3	10 & 20	BSP 2"	50	20	M33 x 2	Ø 75	65 on flat
35184200223	FLANGE ADAPTOR G1"1/4+ Bonded Seal	4	32	BSP 1-1/4"	50	28	4 Screw M16X50	100 x 100	
35184300223	FLANGE ADAPTOR G1"1/2+ Bonded Seal	4	32	BSP 1-1/2"	53	28	4 Screw M16X50	100 x 100	
35184400223	FLANGE ADAPTOR G2" + Bonded Seal	4	32	BSP 2"	58	28	4 Screw M16X50	100 x 100	

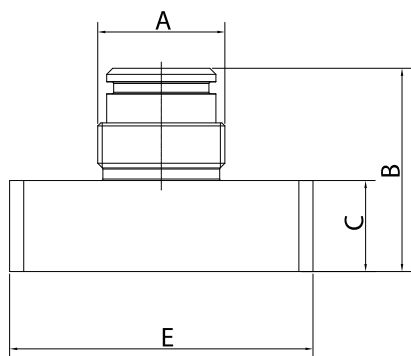
 1



 3



 2



 4

